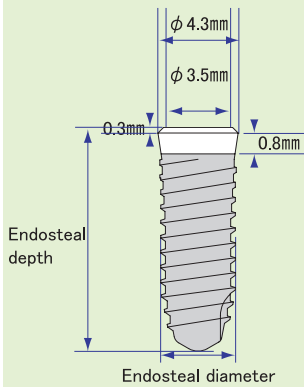


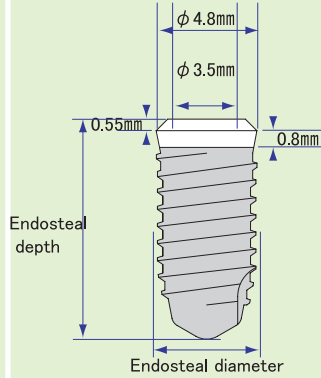
E-Type

Implant

<E33**H~E40**H>



<E46**H>



Pure Titanium

Surface treatment : ABS

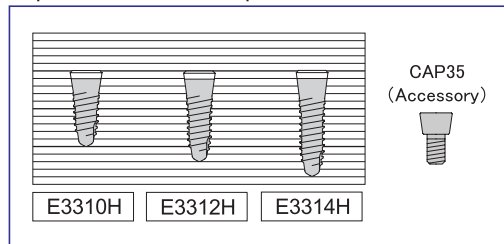
Insertion jig is pre-mounted.

Incl. Seal Cap
[Sterilized]

The implant of this type has a transgingival section of 0.8mm. Due to this, in patients with thin overlying gingival tissue, the implant head remains exposed through the gingiva, which saves placing the abutment during second-stage surgery after osseointegration is achieved. Besides, the deeper placement of the E-type implant allows submerged implantation during the two-stage surgery. Implants of this type that require esthetic considerations for both the upper and lower anterior teeth and premolars are more frequently used.

MYTIS Arrow Implant ϕ 3.3mm

Implant (Incl. Seal Cap)

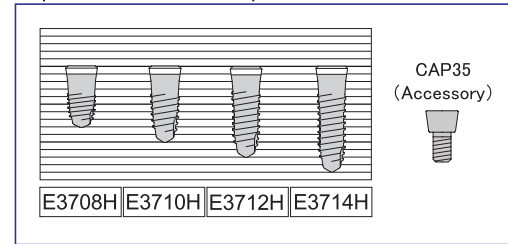


After fixture insertion, seal the internal connection of the fixture with the Seal Cap.
Installation tool for Seal Cap and Cover Screw: HEX Driver

Caution :
Restorations in the posterior regions and single tooth restorations are not recommended.

MYTIS Arrow Implant ϕ 3.7mm

Implant (Incl. Seal Cap)

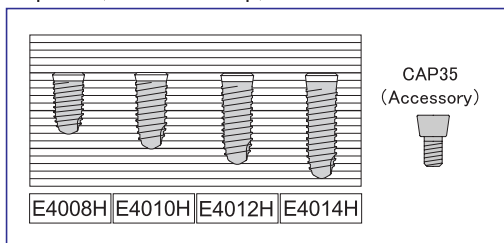


After fixture insertion, seal the internal connection of the fixture with the Seal Cap.
Installation tool for Seal Cap and Cover Screw: HEX Driver

Caution :
Restorations in the molar regions and single tooth restorations are not recommended.

MYTIS Arrow Implant ϕ 4.0mm

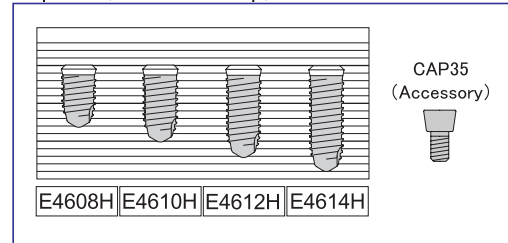
Implant (Incl. Seal Cap)



After fixture insertion, seal the internal connection of the fixture with the Seal Cap.
Installation tool for Seal Cap and Cover Screw: HEX Driver

MYTIS Arrow Implant ϕ 4.6mm

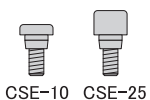
Implant (Incl. Seal Cap)



After fixture insertion, seal the internal connection of the fixture with the Seal Cap.
Installation tool for Seal Cap and Cover Screw: HEX Driver

It is used to seal the internal connection for the abutment after fixture insertion. It is used when the fixture shoulder is covered with gingiva (when the abutment is connected.)

Cover Screws
<E33**H~E40**H>



Cover Screws
<E46**H>

